

Split EVI DC Inverter Series

Installation Manual



AS 9,6 I-EVI



AS 16,8 I-EVI, AS 18,8 I-EVI

Air to Water Heat Pump
Heating+Cooling+DHW

Refrigerant: R410A

PC board code:

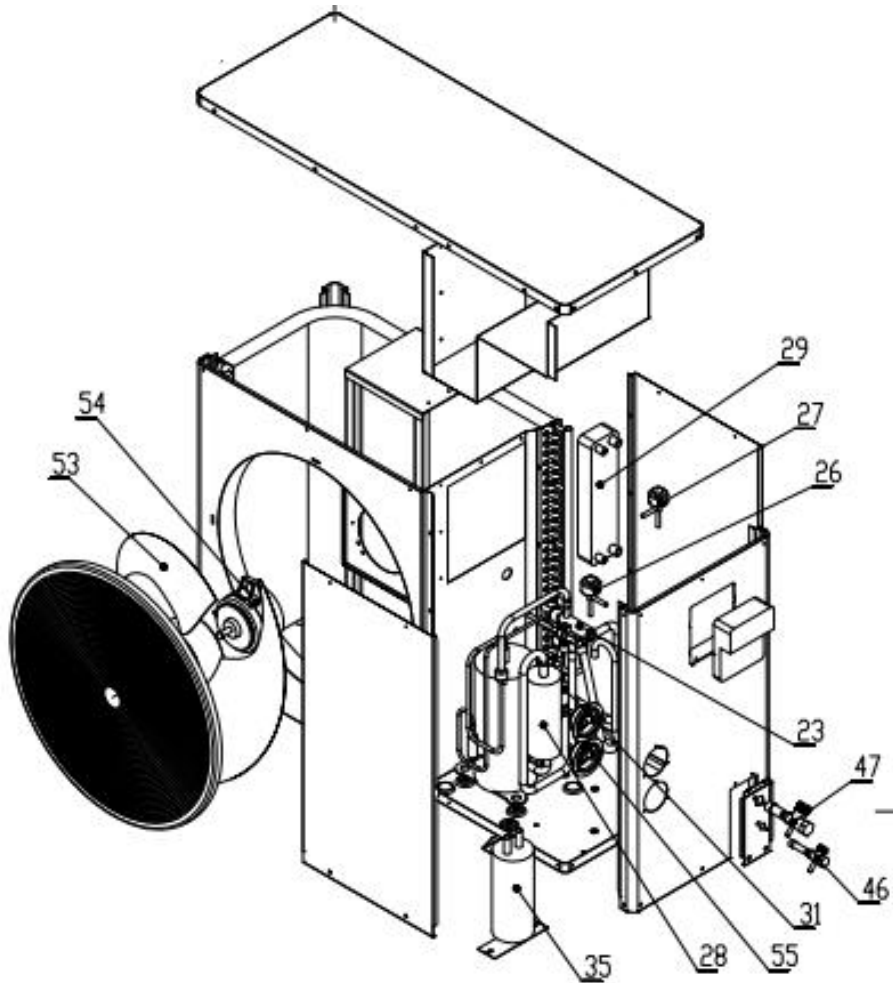
LCD code:

Safety precaution



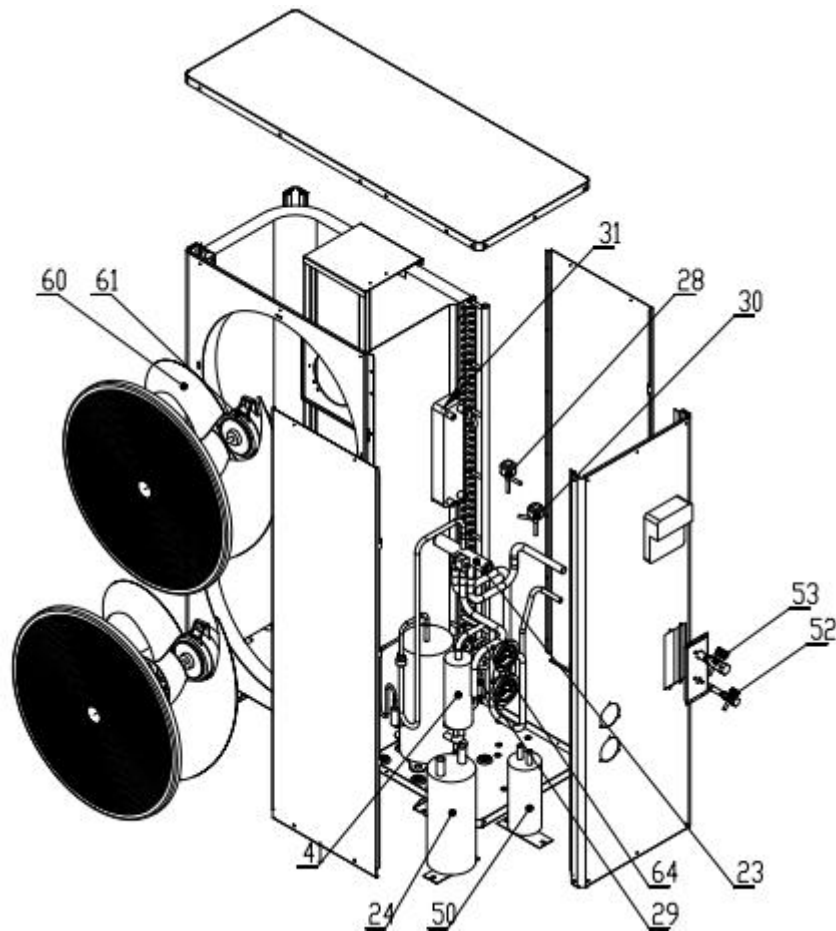
- a. To avoid electrical shock, make sure to disconnect power supply 1 minute or more before operating the electrical part. Even after 1 minute, always measure the voltage at the terminals of main circuit capacitors or electrical parts and, before touching, make sure that those voltages are lower than the safety voltage.
- b. Power supply wire line size must be selected according to this manual. And must be grounded.
- c. Don't put in hands or stick to air outlet grill when fan motor are working.
- d. Don't use wet hand touch wire lines, and don't pull any wire lines of the unit.
- e. Water or any other kind liquid is forbidden to poured into the unit.
- f. Select correct air breaker and leakage protection switch.
- g. Don't touch the fin of source side heat exchanger, it may hurt your finger.
- h. If any wire line is loose or damaged, suggest let qualified person to fix it.

Important parts in heat pump



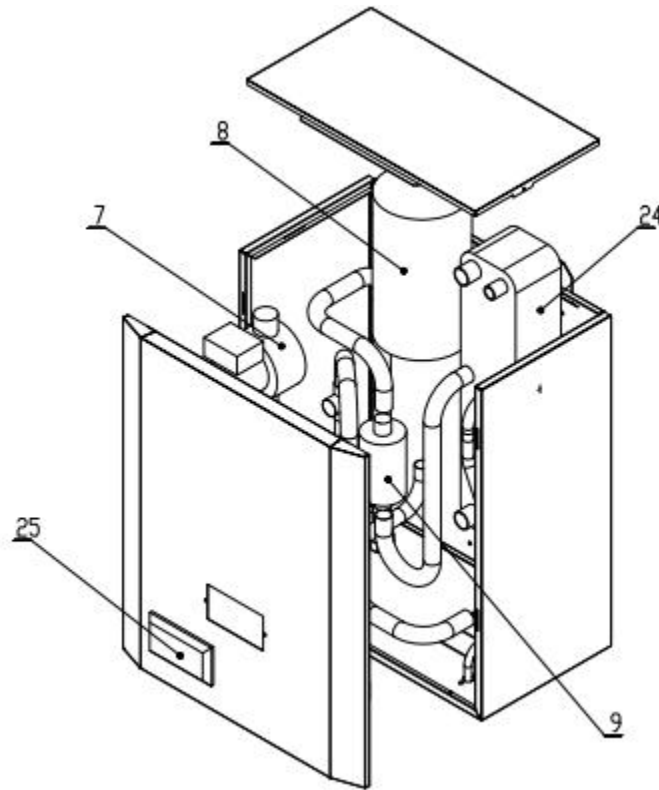
No.	Component
53	Fan
54	DC motor
35	Reservoir
28	Inverter compressor
55	Pressure gauge
31	Filter
46	Small shut-off valve
47	Large shut-off valve
23	Four-way valve
26	Main electronic expansion valve
27	Auxiliary electronic expansion valve
29	Plate heat exchanger economizer
16	Back repair board

Important parts in heat pump



No.	Component
60	Fan
61	DC motor
31	Plate heat exchanger economizer
28	Auxiliary electronic expansion valve
30	Main electronic expansion valve
53	Large shut-off valve
52	Small shut-off valve
23	Four-way valve
64	Pressure gauge
29	Filter
50	Reservoir
24	Gas-liquid separator
41	Inverter compressor

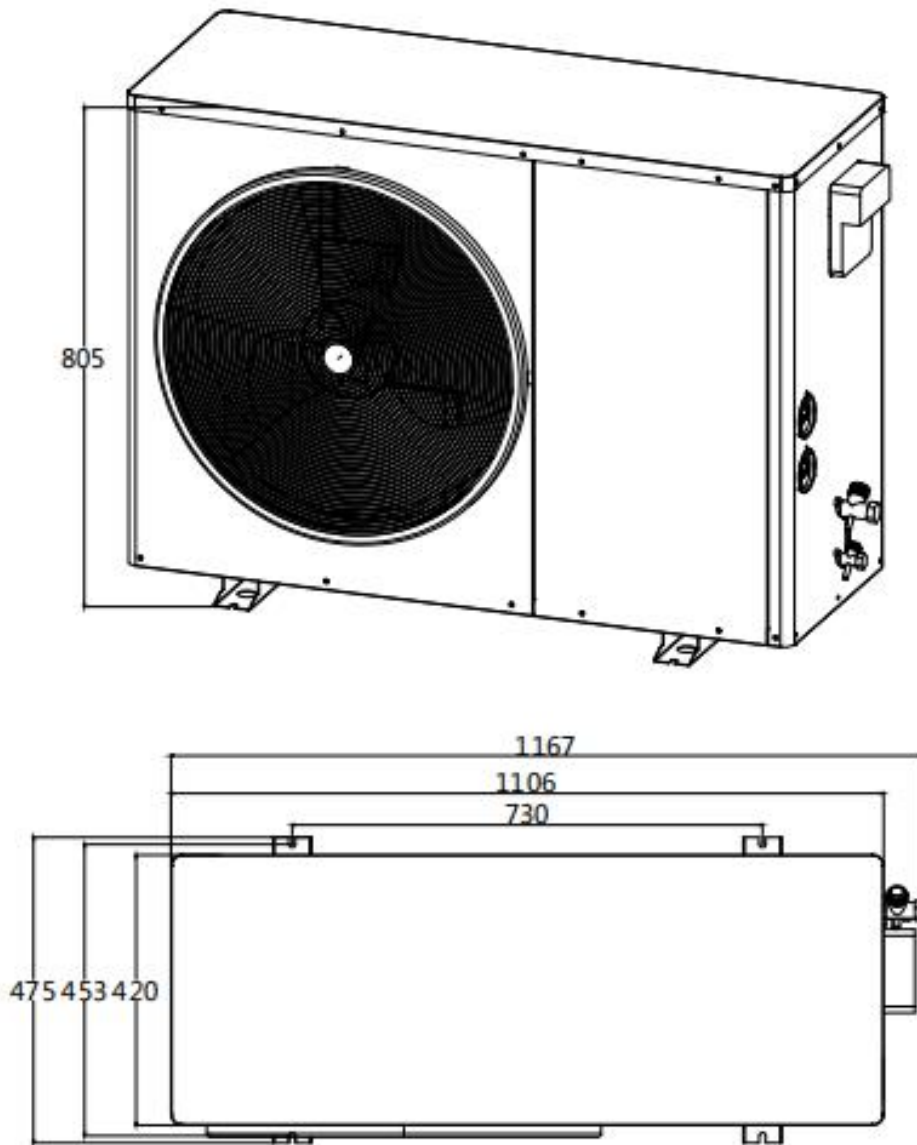
Important parts in heat pump



No.	Component
25	Controller
7	Inverter pump
8	Expansion tank
24	Plate heat exchanger
9	Electric heater

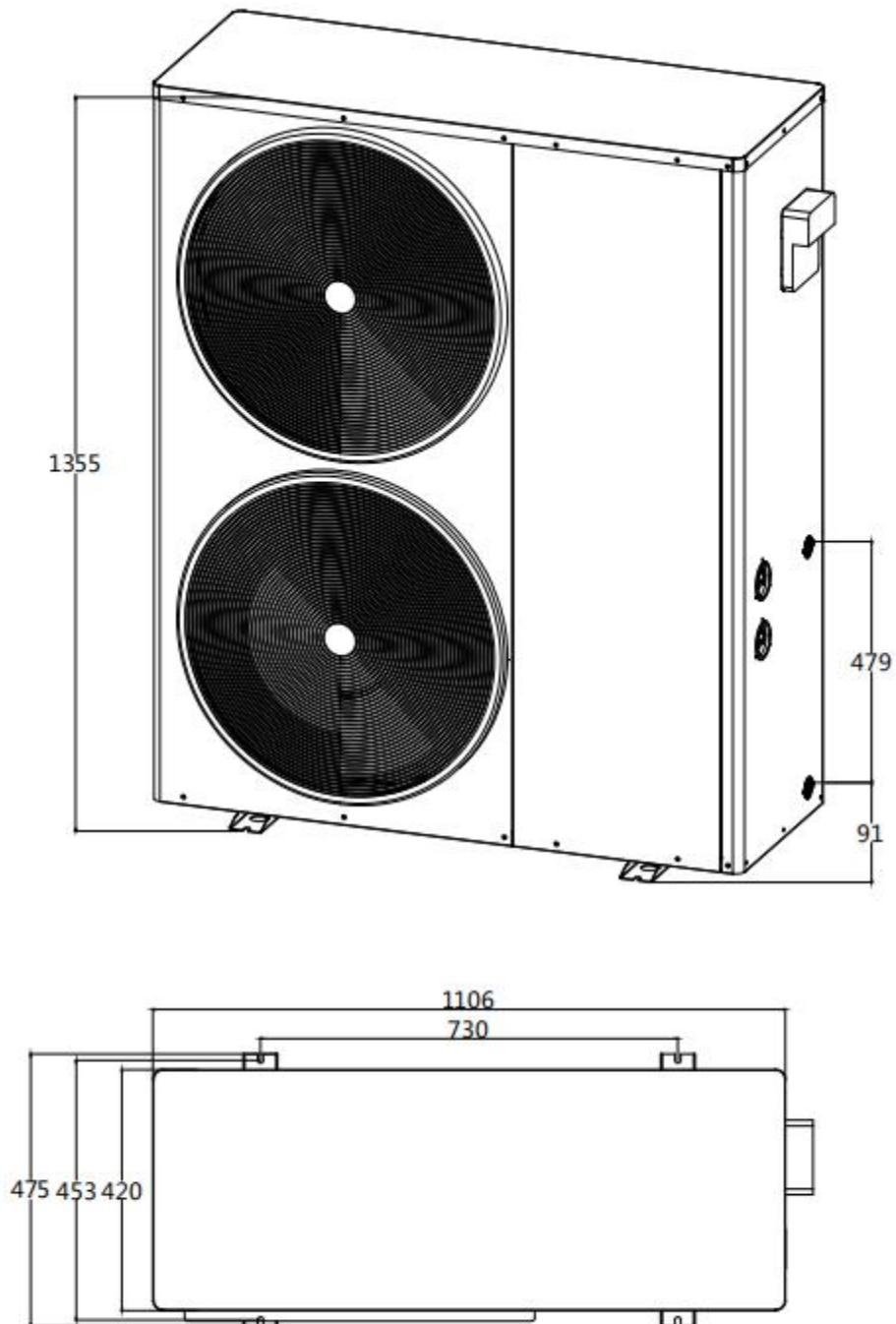
Heat pump size

AS 9,6 I-EVI



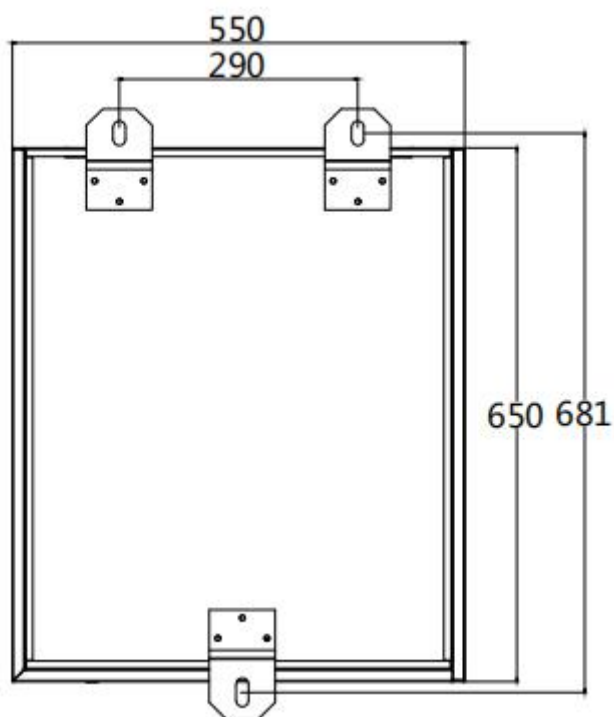
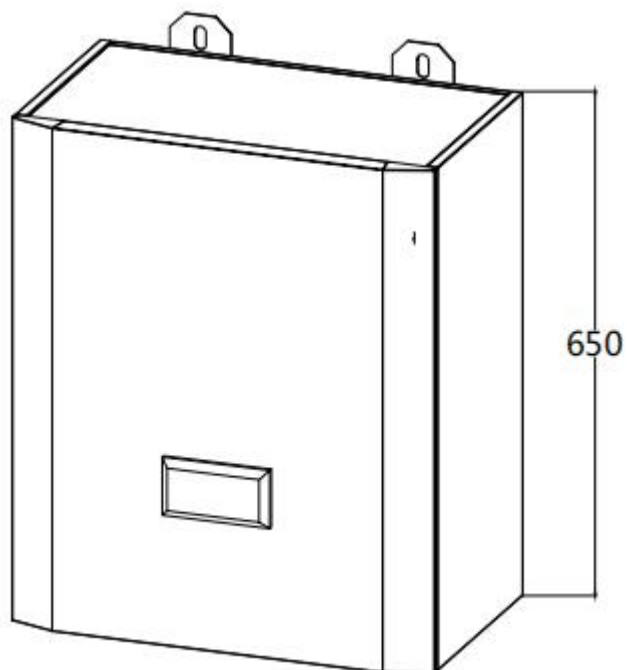
Heat pump size

AS 16,8 I-EVI, AS 18,8 I-EVI






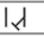





Heat pump size

Indoor unit



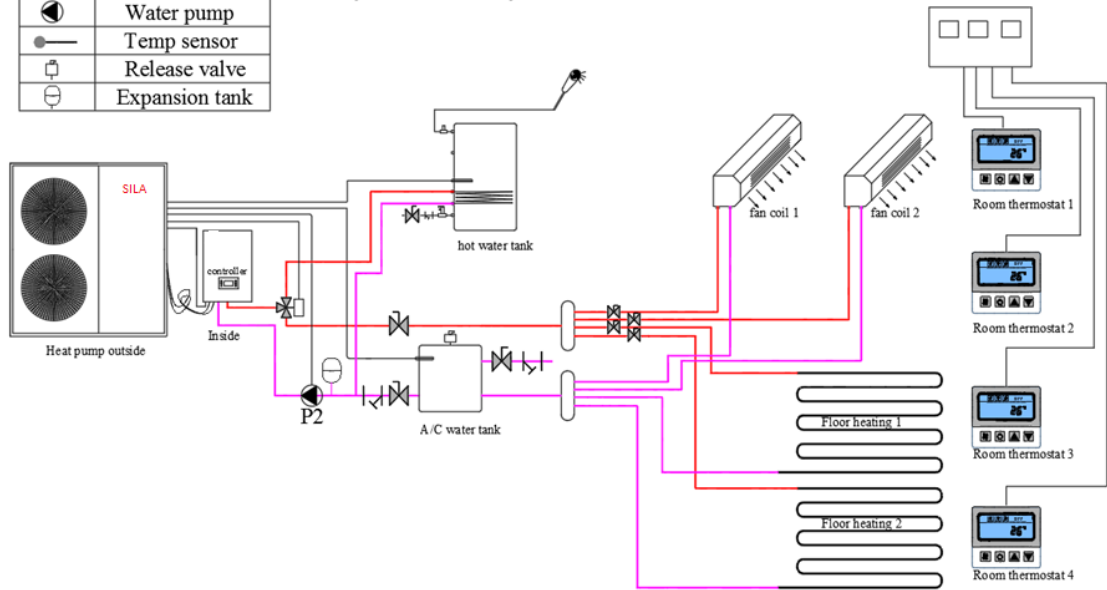
Installation diagram

Primary circulation system

Symbol	Name
	3-way valve
	2-way valve
	Ball valve
	Non-return valve
	Filter
	Water pump
	Temp sensor
	Release valve
	Expansion tank

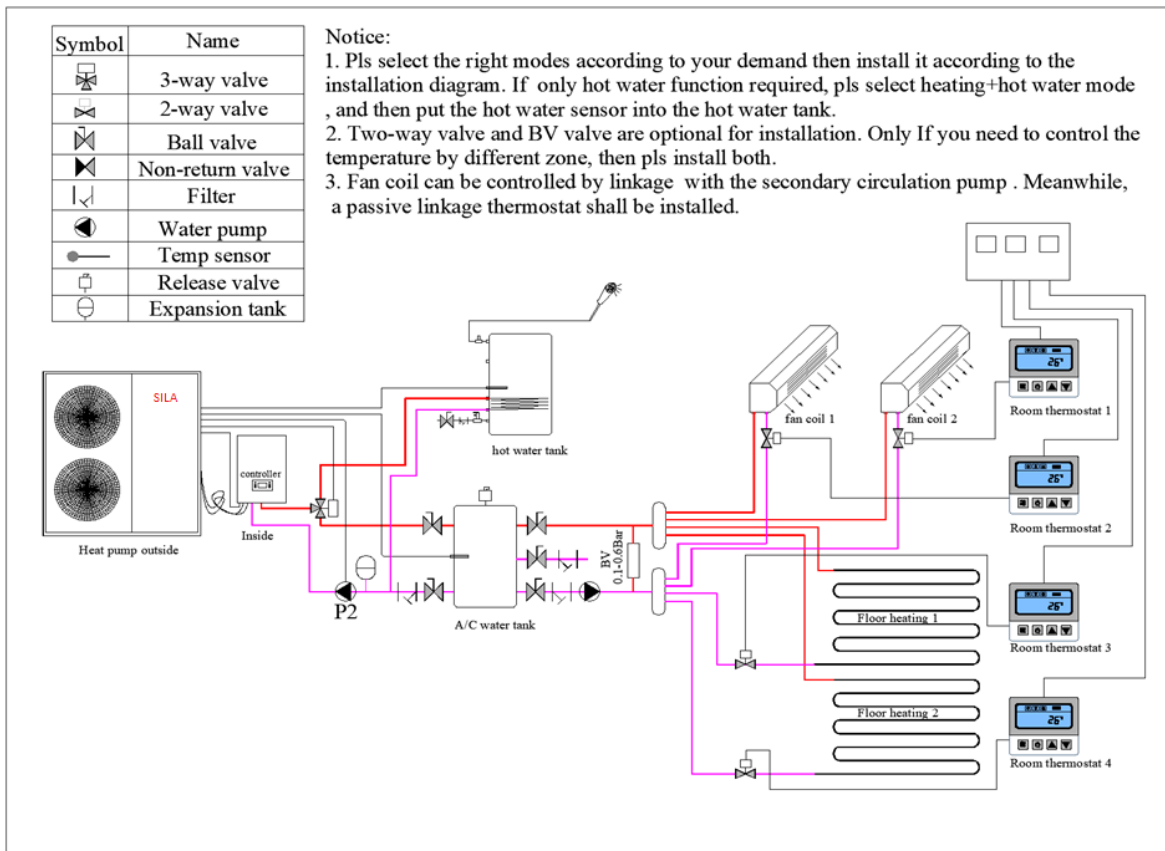
Notice:

1. Pls select the right modes according to your demand then install it according to the installation diagram. If only hot water function required, pls select heating+hot water mode , and then put the hot water sensor into the hot water tank.
2. Fan coil can be controlled by linkage with the secondary circulation pump . Meanwhile, a passive linkage thermostat shall be installed.
3. This is primary circulation system, If you not need to control the temperature by different zone, you can use this system.



Installation diagram

Secondary circulation system



Basic of installation

- 1) The heat pump must be installed in open space. Normally is installed on the roof of house.
- 2) The unit should be placed in dry and well-ventilated environment. If the environment is humid, electronic components may get corroded or short circuit.
- 3) Heat pump mustn't be installed in the environment where corrosive, volatile, or flammable liquid or gas exists.
- 4) Because of the noise is a little loud, please don't install the heat pump near bedroom or living room or meeting room.
- 5) Please install a shed for the heat pump, otherwise, rain water can reduce the lifetime of the shell, and snow may cover the air outlet.
- 6) Water drainage ditch should be set around the heat pump, when heat pump is working, there is condensing water flow down, or when defrosting, there are plenty of water flow down too.
- 7) Heat pump should far away from kitchen exhaust, because the finned tube is not easy to clean if there is oil on it.
- 8) Heat pump must be installed on flat concrete blocks or a raised concrete platform, or steel bracket. The bottom of the heat pump should be at least 50cm higher than ground, because rain water, snow may enter inside if the installation is on ground.
- 9) Between heat pump and basic or bracket, at least 4 pcs anti-shock pads should be placed.
- 10) Before make basic or bracket, please check heat pump dimension.
- 11) Before fix heat pump on basic, please confirm heat pump direction according to project design.
- 12) Normally use expansion bolt to fix heat pump on concrete basic.
- 13) Make sure circulating water pipe must be \geq DN25 (or PPR32), and pipes must be insulated.
- 14) When install water temp sensor on pipe or in water tank, make sure temp sensor will not touch water directly, best through a sensor tube. Like below picture.

Installation details

1. Installation site

- 1.1 The outdoor unit should be installed in a sunny and ventilated place to prevent the formation of a cold field due to poor ventilation or in a dark place, which affects the use of the unit;
- 1.2 The outdoor unit should not be installed in a place with too much dust to prevent the dust from adhering to the fin heat exchanger and affecting the heat exchange effect;
- 1.3 The outdoor unit should not be installed in places with corrosive gas to prevent the unit heat exchanger from being corroded and affecting the service life;
- 1.4 The outdoor unit should be equipped with anti-vibration pads and fixed firmly with expansion screws to prevent vibration, noise and displacement;
- 1.5 The outdoor unit should be installed in a place where it can be drained to prevent condensation and ice formation;
- 1.6 The outdoor unit should be placed according to the installation distance diagram, and there should be a bracket to prevent the short drainage distance from causing ice formation;
- 1.7 The indoor unit must be well-supported, installed on a wall, and the wall must be able to bear the weight;
- 1.8 The indoor unit should not be installed outdoors in direct sunlight or rain.

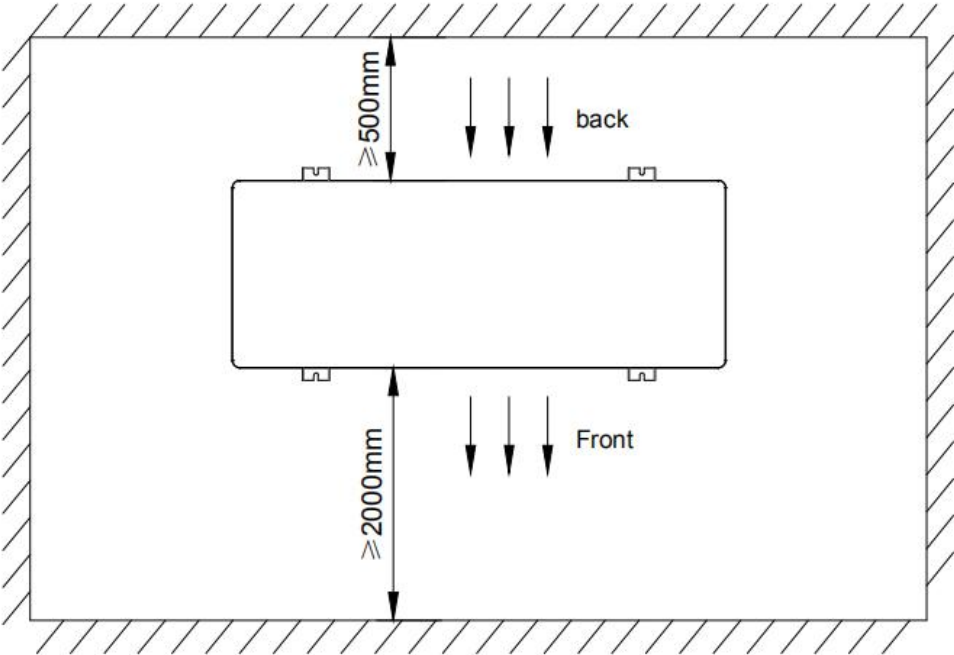
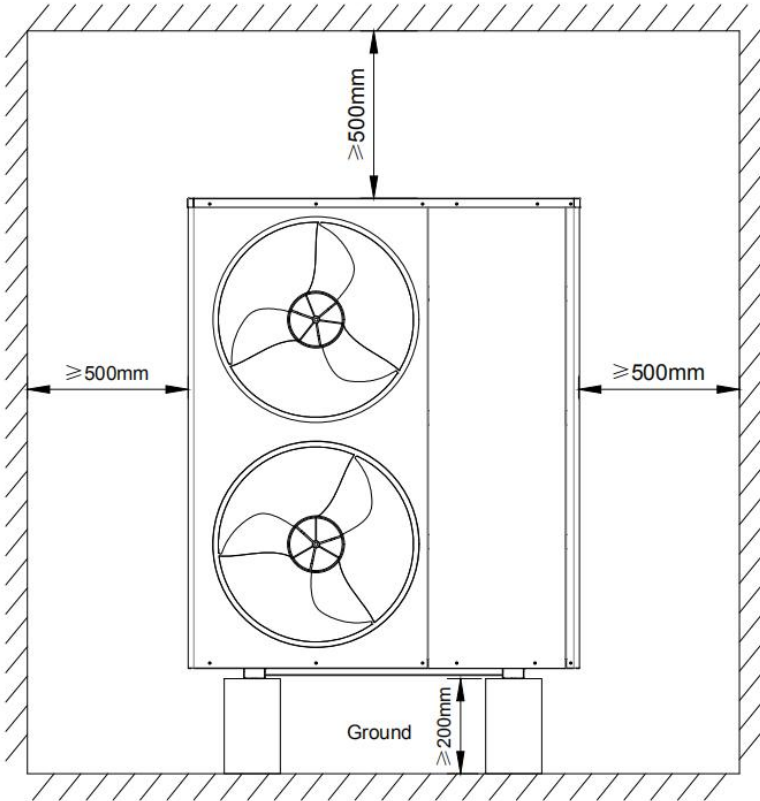
2. Installation considerations

- 2.1 The copper pipe connecting the internal and external machines is 5 meters, and it cannot be lengthened without permission. If you need to lengthen, you need to contact the manufacturer;
- 2.2 When the connecting copper pipe is bent, do not crush the copper pipe, otherwise it will affect the normal operation of the unit;
- 2.3 After installation, use soapy water to detect leaks.

Installation details

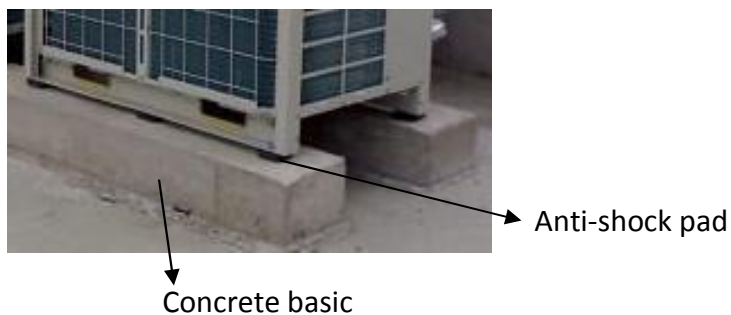
3. Outdoor unit installation

3.1 Outdoor unit installation distance requirements



Installation details

3.2 The outdoor unit installation needs to be fixed on the bottom frame with expansion screws, and the bottom corner of the main unit needs to be installed with a cushion



4. Indoor unit installation:



4.1 Indoor unit installation requires three expansion screws to fix the internal unit to the wall.

Pipes connection

5. Fix the connecting pipe

5.1 After the outdoor door unit and indoor unit are fixed, look for the nearest connection route, punch a hole of 50-100mm at the location of the wall, pay attention to waterproof when drilling

5.2 Pass the two connecting pipes through the wall, and place the two ends at the connection between the indoor and outdoor units

6. Fluorine copper tube connection

6.1 Indoor unit and connection location

Outdoor unit gas connector



Pipes connection

Indoor unit gas connector



6.2 Fluorine connection pipe specification:

CGK030V2LS connection pipe specification $\phi 15.88 / \phi 12.7$

CGK050V2LS connecting pipe specification $\phi 19 / \phi 12.7$

CGK060V2LS connecting pipe specification $\phi 19 / \phi 12.7$

7. Fluorine system pipeline connection steps

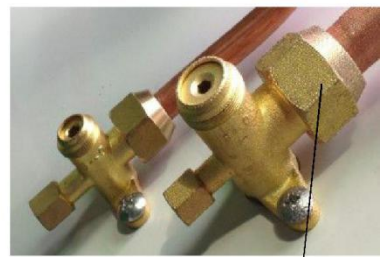
7.1 Remove the plastic cover of the globe valve, directly align the bell mouth of the connecting pipe with the connection port on the heat pump, and then tighten the nut, paying attention to alignment, otherwise it will cause air leakage



Remove cover



Bell mouth



Pipes connection

7.2 After connecting the connecting pipes of the indoor and outdoor units, use a vacuum pump to evacuate the air in the pipeline and the indoor unit to ensure the evacuation time and ensure that the air in the pipeline is cleaned.

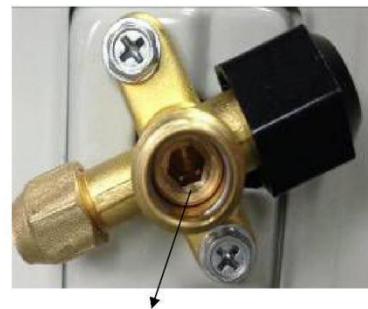
7.3 After evacuation, close the refrigerant meter valve, use a $\phi 5$ hex nut to open the shut-off valve switch, close the shut-off valve switch after a little refrigerant enters the connection pipe, then unscrew the connection pipe for evacuation, and then reopen all the shut-off valve switches, Complete the connection.



Remove cover



Tool



Switch

8. Leak detection

Fill an empty bottle with the right amount of detergent solution and water, shake it, and pour it into all the connection ports to check whether there are bubbles emerging. If there are bubbles, it can be judged that the refrigerant is leaking. It needs to be tightened immediately until no bubbles come out.

9. Water system pipeline connection

9.1 Use pipe connections with specifications greater than or equal to DN25, and the connection should be tightened to prevent water leakage;

9.2 If used for three functions of floor heating, cooling and hot water, a three-way valve needs to be installed;

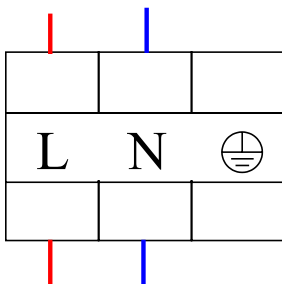
9.3 Automatic exhaust valve shall be installed at the highest part of the water system and the top of the water tank.

Wire line

10. Line connection

- 10.1 When connecting the main power supply, please note that the wire diameter of the power cord must be greater than or equal to the recommended wire diameter, and must be reliably grounded.
- 10.2 The connection terminal of the water pump can be used as the power supply of the water pump. The water pump with the PWM signal needs to be connected to the signal line. Pay attention to distinguish the power line and the signal line of the pump, which can be distinguished according to the number of the connection line
- 10.3 Models with inside electric heater can be directly wired according to the mark.
- 10.4 Models with external electric heater need to select a suitable wire diameter according to the electric heating power. The electric heating terminal cannot be used directly as an electric heating power supply, but only as a control line. The main power supply needs to be equipped with an AC contactor according to the power size
- 10.5 The connection of the three-way valve is 2 live wire and 1 neutral wire, and the switching direction of the three-way valve must be accurately judged when wiring, otherwise it will damage the unit and render it unusable
- 10.6 The user hot water probe using the three functions of floor heating, cooling and hot water needs to be installed in the hot water tank.
- 10.7 Corresponding numbers of the inlet and outlet probe lines and the water flow switch connection line can be directly connected

11. Power wire diameter selection

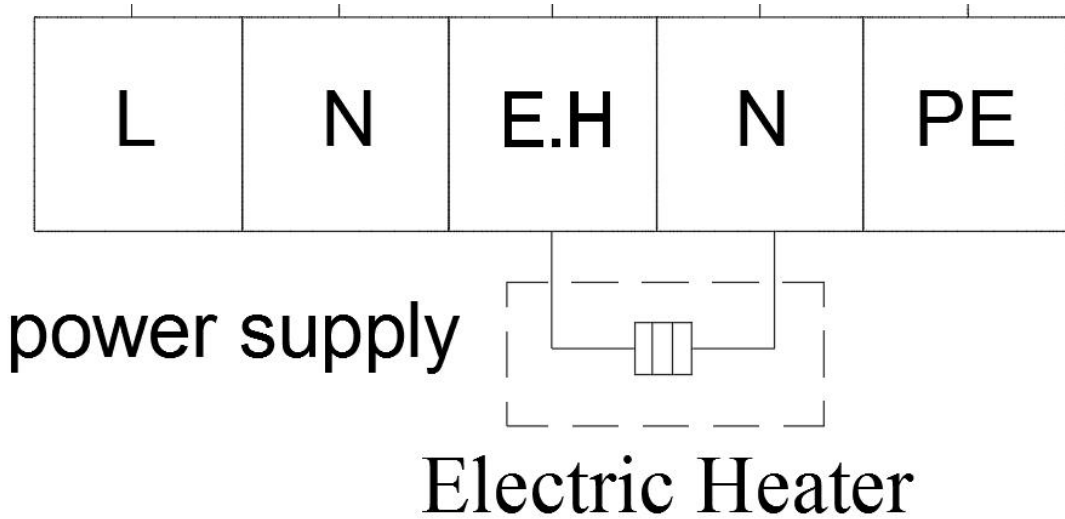
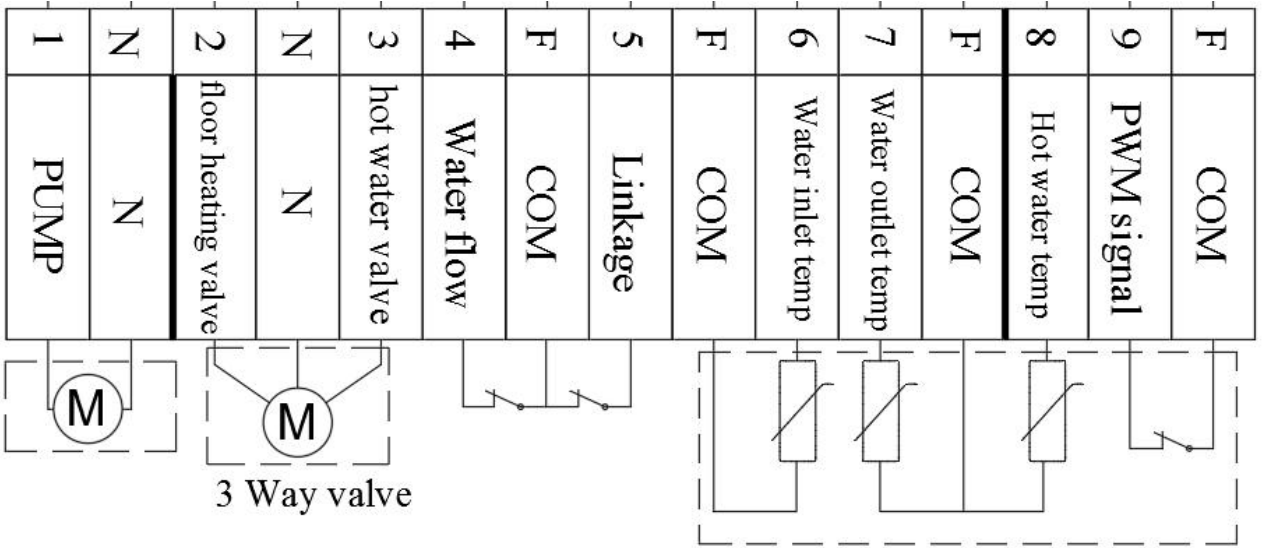


Voltage: 220V~240V/50Hz or 60 Hz/1Ph Electric heater: 3KW

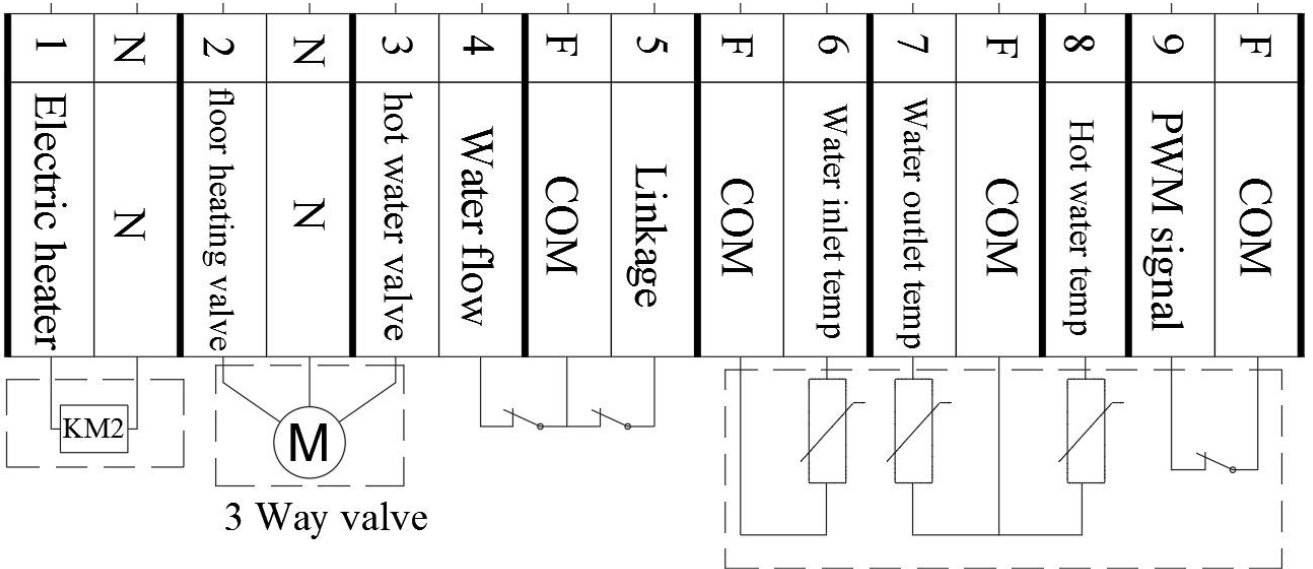
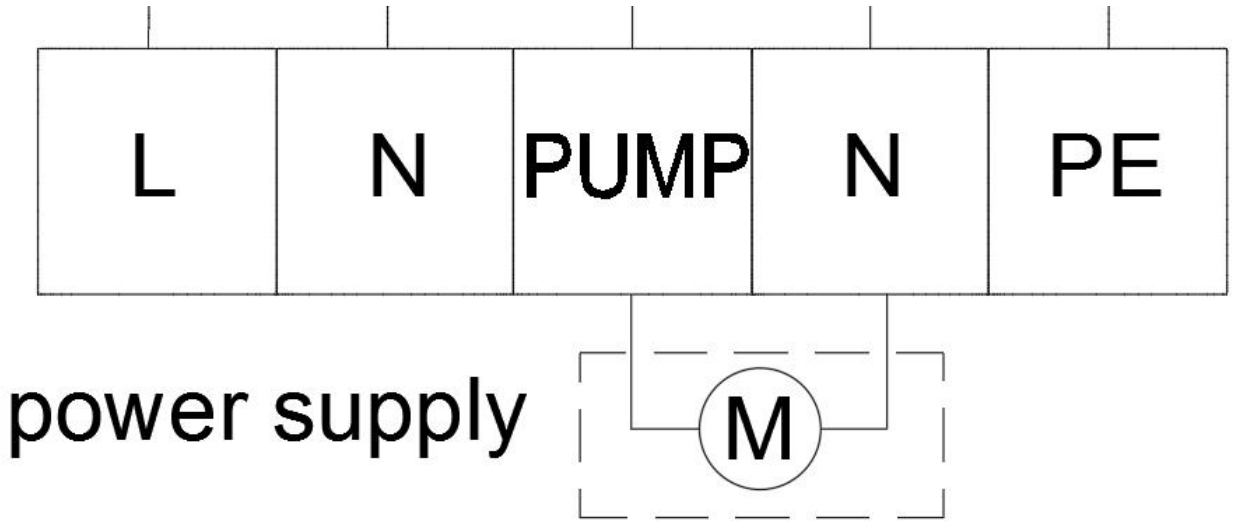
Terminal

12. Wiring terminal diagram with self water pump and electric heater

	AS 9.6 I-EVI	AS 16.8 I-EVI	AS 18.8 I-EVI
Line(mm)	6	10	10
Max. Current(A)	15	26	30

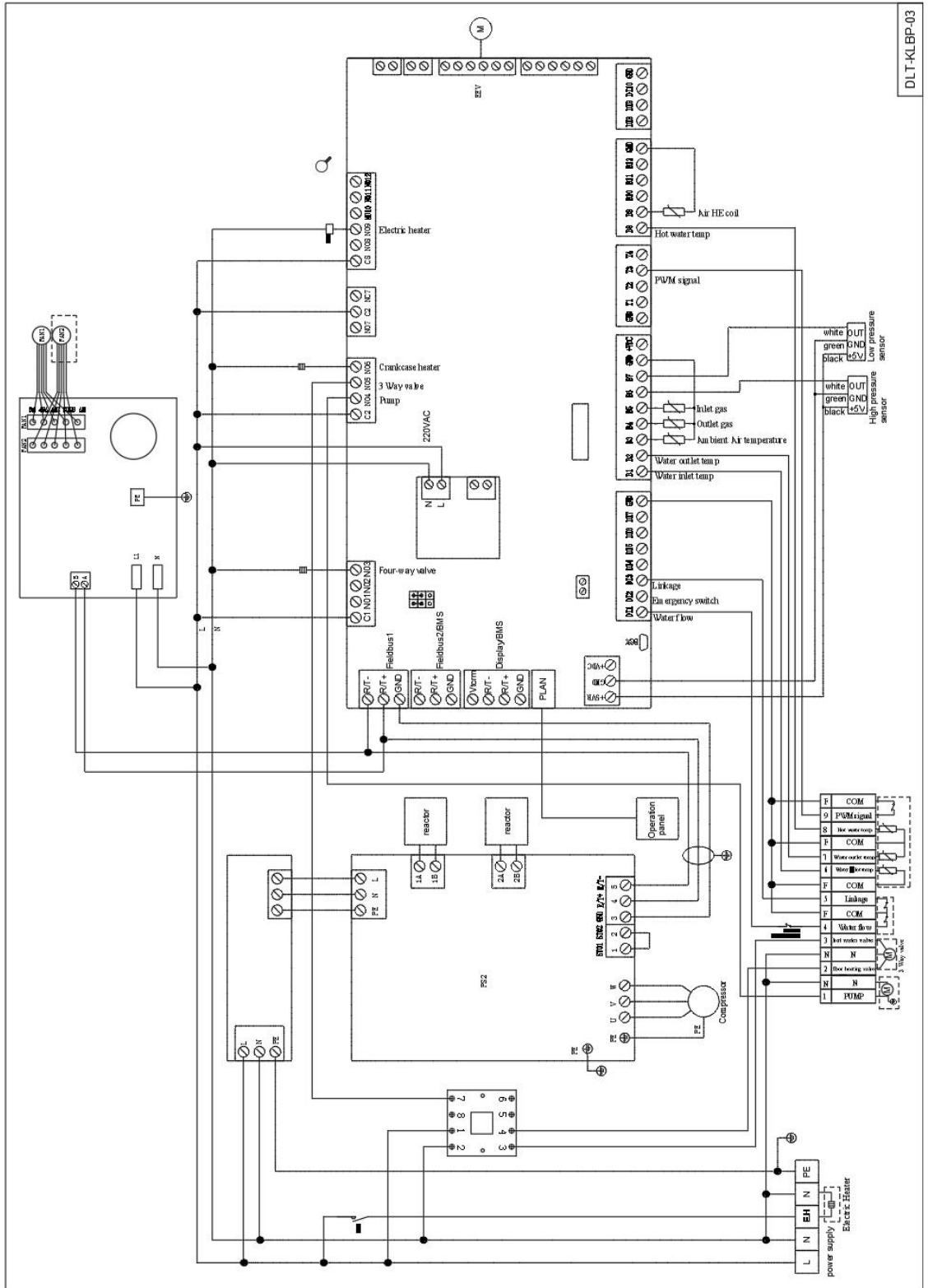


13. Wiring terminal diagram of externally electric heater and water pump



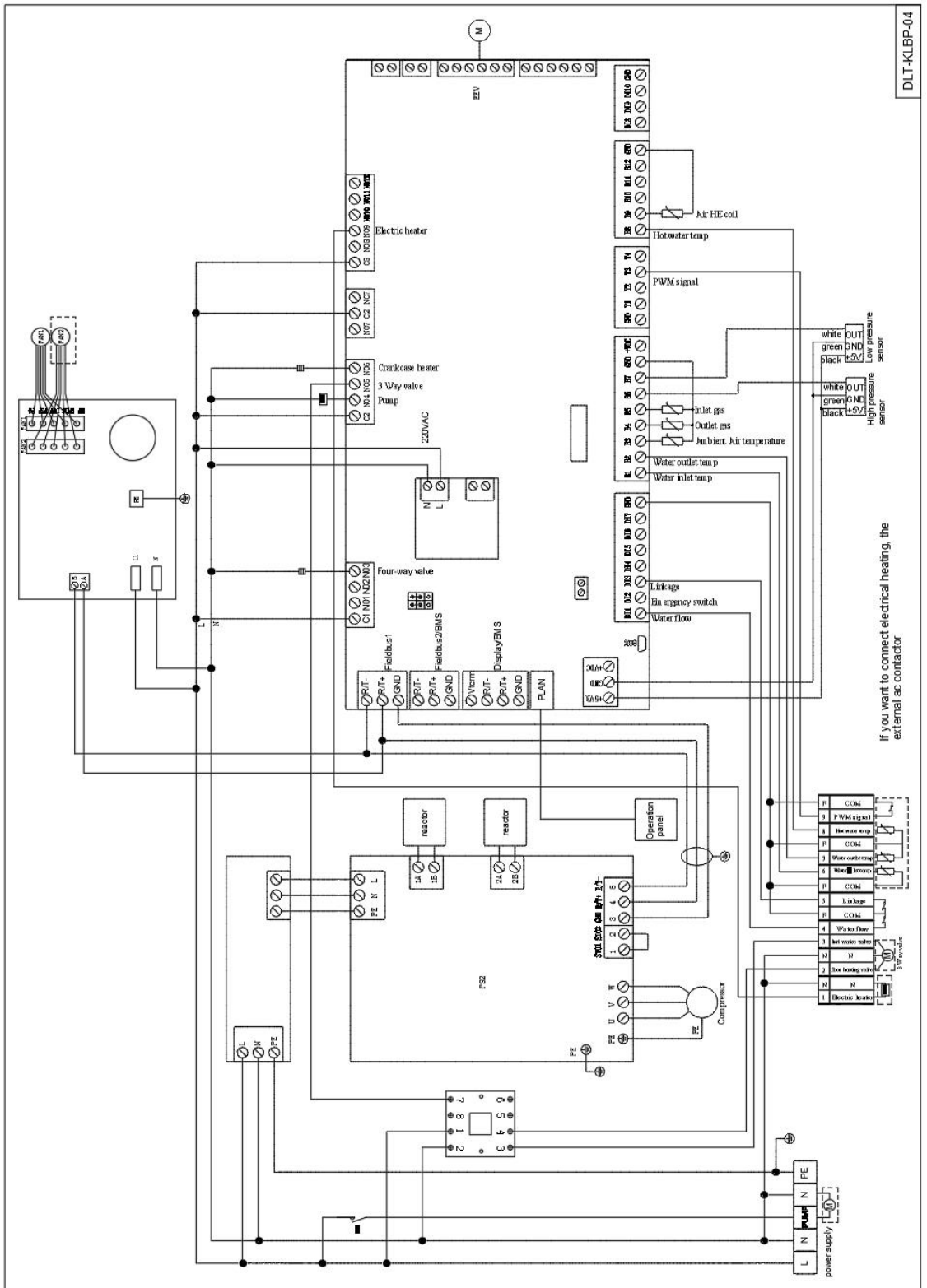
Wiring diagram

14. Wiring diagram of self water pump and electric heater



Wiring diagram

15. Wiring diagram of externally electric heater and water pump



16. Commissioning

- 16.1 The water system is filled with water, and the air in the pipes and water tanks is discharged;
- 16.2 Check whether the water system pipeline is leaking
- 16.3 Check whether the power cord and other connecting wires are tight
- 16.4 Adjust the mode of the host to the required mode, set the required temperature, and start the operation
- 16.5 After the host is turned on, the set temperature is reached and there is no fault. After the temperature drops, it can be restarted normally, and the debugging is completed..

17. After the commissioning is completed, keep the pipeline well insulated and fix the pipeline without loosening.